

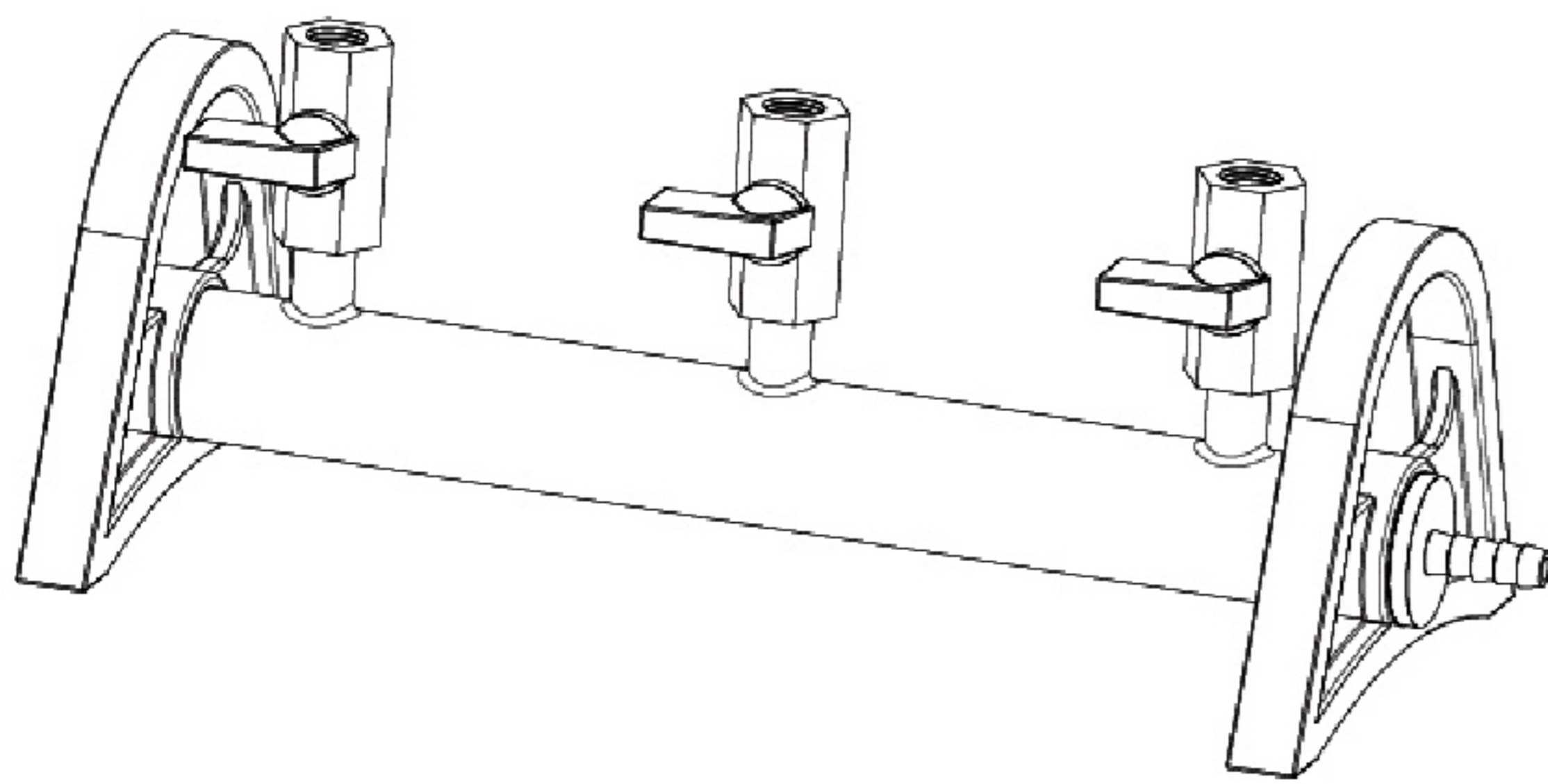
Stainless Steel Manifold

- Constructed of SUS 316 stainless steel
- High chemical and temperature resistance
- Set can be sterilized by steam, oven and other sterilization methods
- Filtration for suspended solid test
- Individual Control Switch



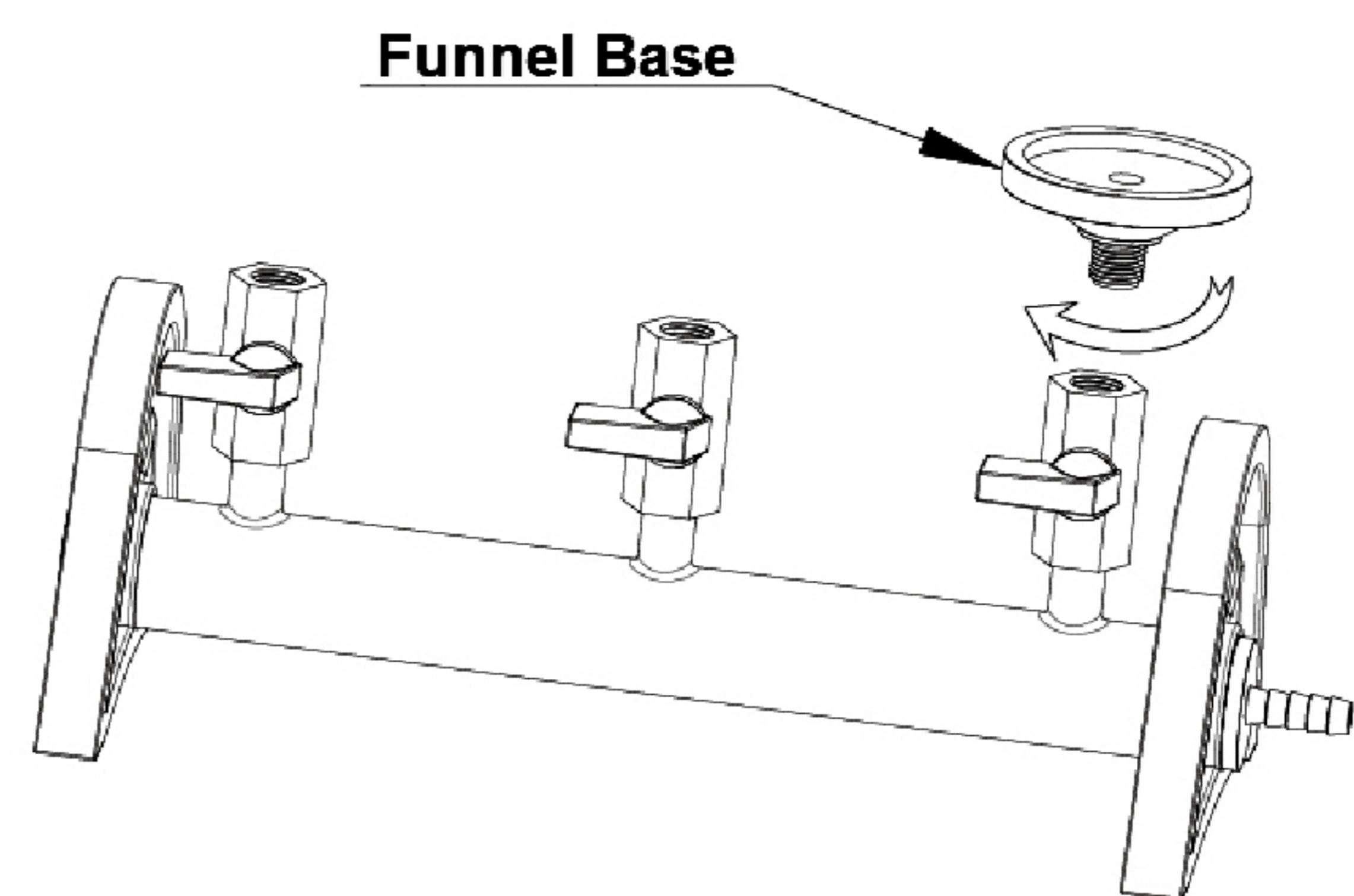
Assembly instructions

1

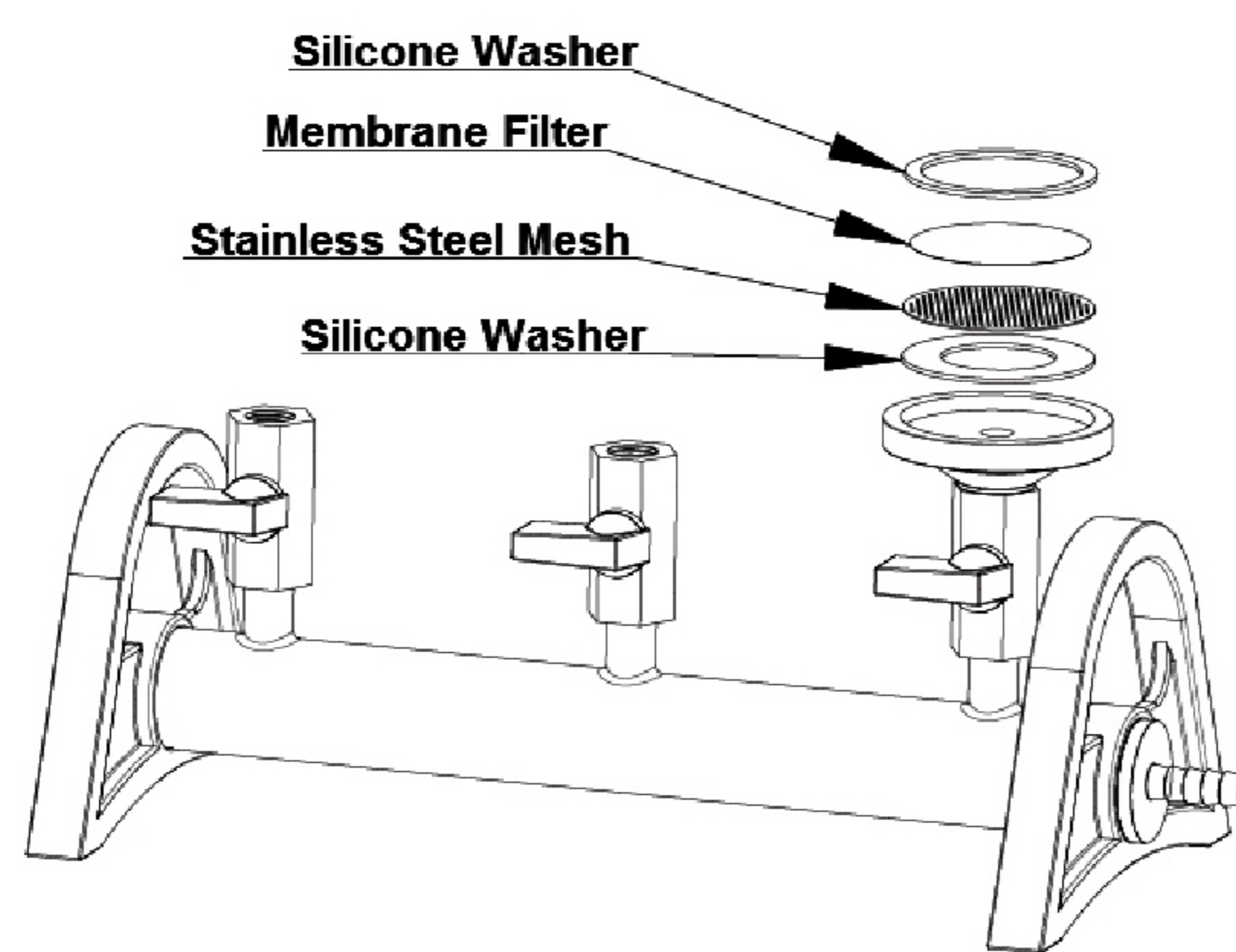


3 Branch Stainless Steel Vacuum Manifold

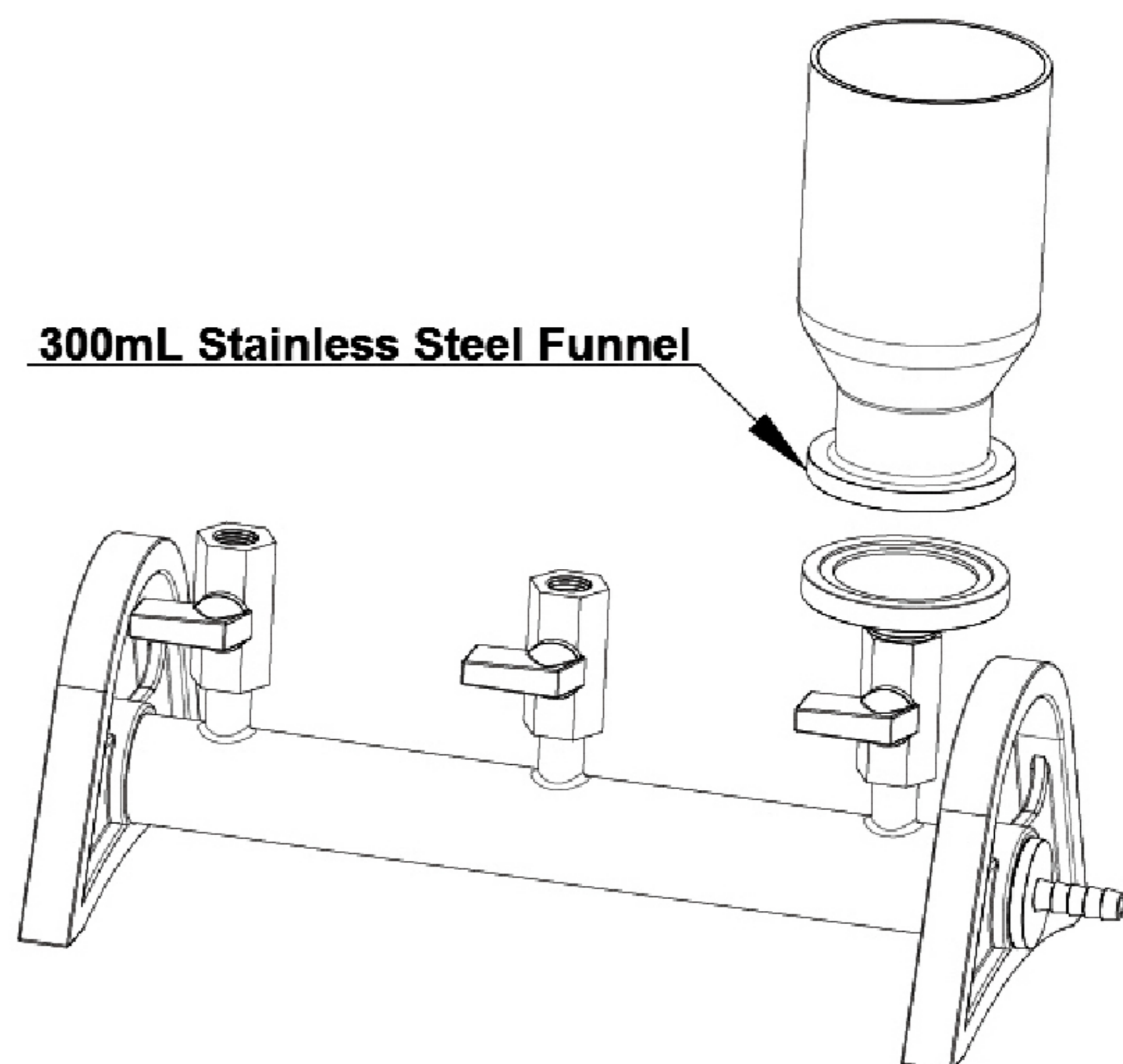
2



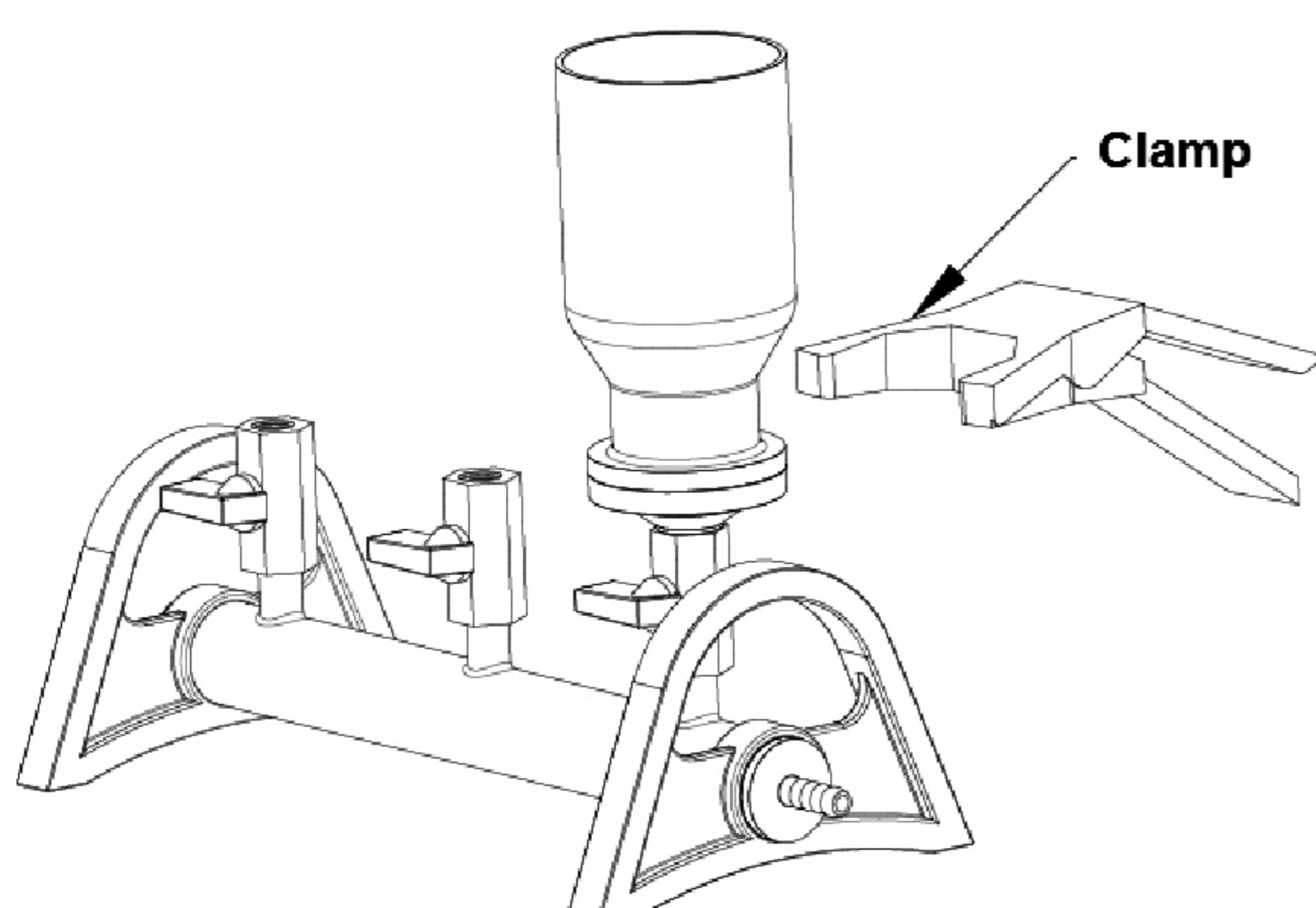
3



4



5



6

